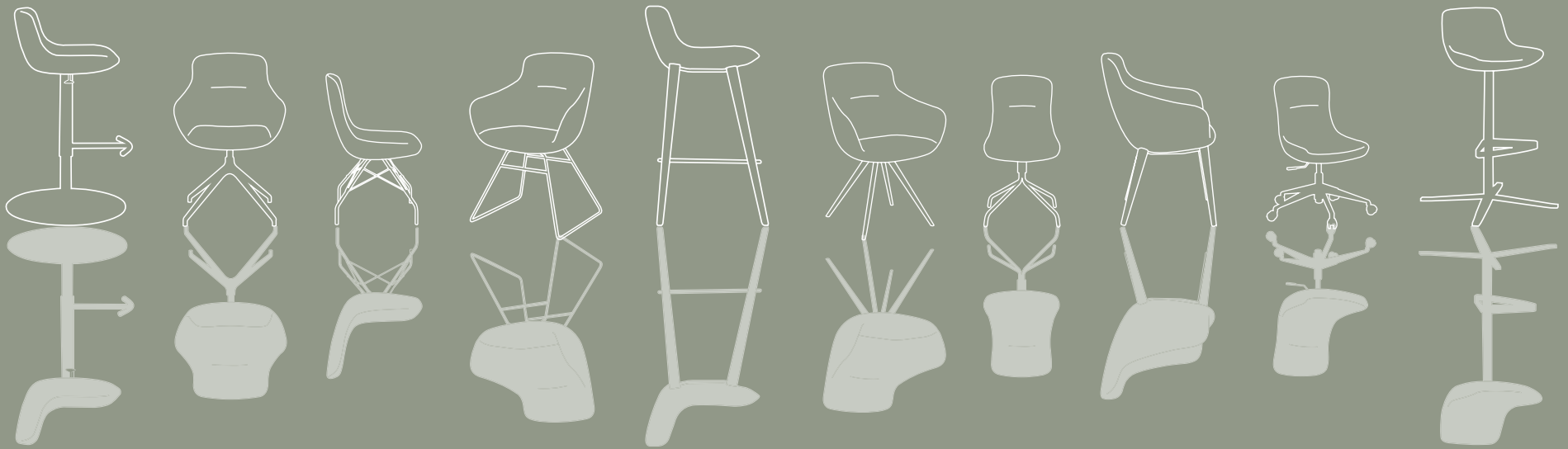


Emma

Armchair Chair & Barstool

NEW COLLECTION 2023

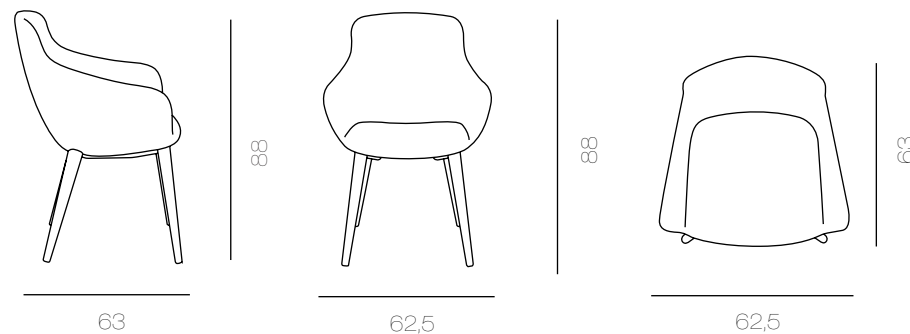




Armchair Emma

Moulded steel structure in cold-foamed polyurethane.
Request paper templates and photos for proper upholstery.

- Weight: 5.9 kg
- Dimensions: dismantled 0.2 m³
- Fabric needed: 1,10 (h 1,40) m





F.lli Rossetto
ITALIAN COMFORTABLE SEATING

Collection Emma - Armchair

Sixteen different basic styles,
take a look and configure your
armchair on www.rossetto.it

NEW



Emma P2



Emma L28



Emma P15



Emma L53



Emma R6



Emma R1



Emma P10



Emma S17

Collection Emma - Armchair

F.lli Rossetto
ITALIAN COMFORTABLE SEATING



Emma D1



Emma L17



Emma P13



Emma R15



Emma R10



Emma R3



Emma R16



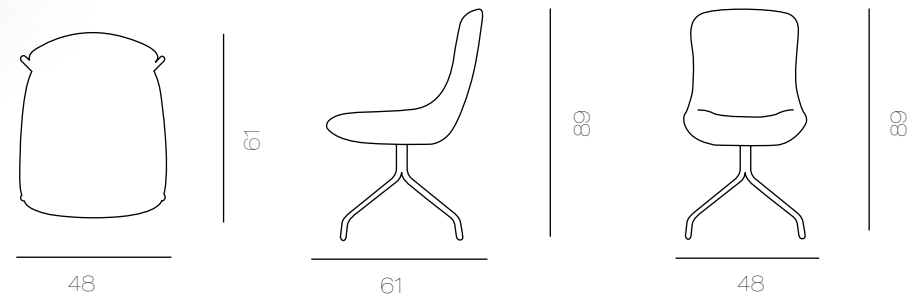
Emma S16

Chair

Emma

Moulded steel structure in cold-foamed polyurethane.
 Wooden slats under the body for the tissue placement.
 Request paper templates and photos for proper upholstery.

- Wheelbase 140x140 mm
- Weight: 4,8 kg
- Footprint: disassembled 0,15 mc
- Fabric required: 1,00 (h 1,40) mt





F.lli Rossetto
ITALIAN COMFORTABLE SEATING

Tredici diversi stili di base,
dai un'occhiata e configura la
tua sedia su www.rossetto.it



Emma P2



Emma L28



Emma P15



Emma R6



Emma R1



Emma P10

F.lli Rossetto
ITALIAN COMFORTABLE SEATING



Emma D1



Emma L17



Emma P13



Emma R15



Emma R10



Emma R3

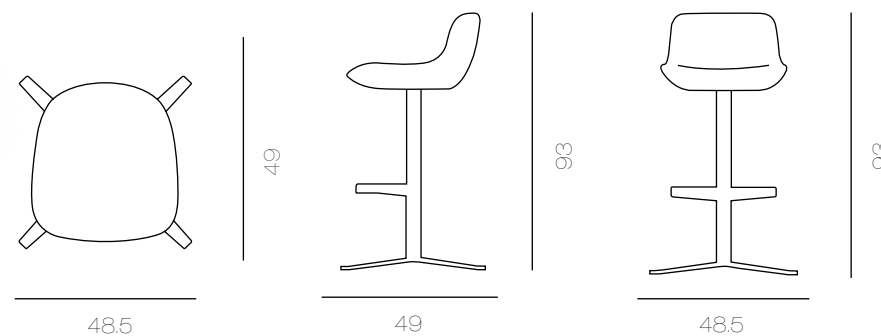


Emma R16

Barstool Emma

Moulded steel structure in cold-foamed polyurethane.
Wooden slats under the body for the tissue placement.
Request paper templates and photos for proper upholstery.

- Wheelbase: 140x140 mm
- Weight: 3 kg
- Footprint: disassembled 0,06 mc
- Fabric required: 0,65 (h 1,40) mt





Collection Emma -Barstool

F.lli Rossetto
ITALIAN COMFORTABLE SEATING

Four different basic styles,
have a look and configure your
stool on www.rossetto.it



Emma SG1



Emma SG3



Emma SG4



Emma L60

