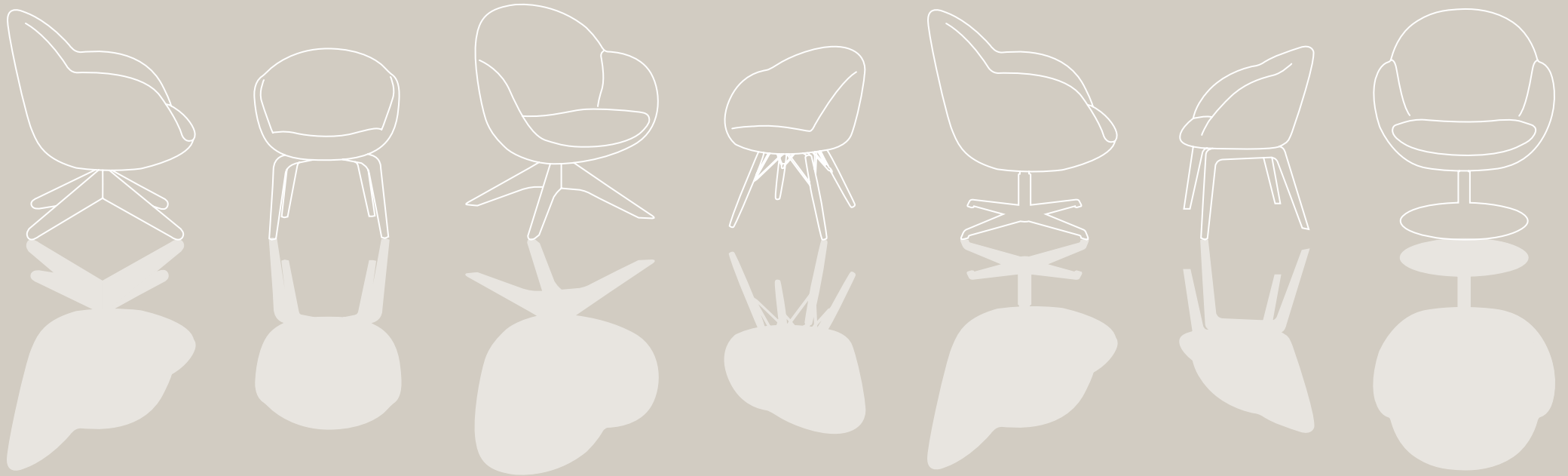


Cloè

Lounge & Armchair

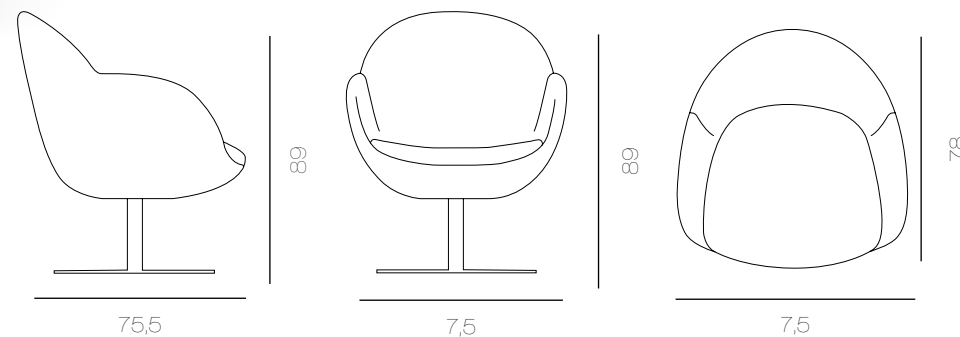
NEW COLLECTION 2024



Lounge Cloè

Steel structure, molded in cold-foamed polyurethane. There are wooden inserts for tacking the fabric. Distance between holes under the body for fixing the base: 140 x 140 mm.

- Weight: 12.3 kg
- Dimensions: 0.37 m³
- Fabric needed: m. 2.3 (1.40 h)



F.lli Rossetto
ITALIAN COMFORTABLE SEATING



Five different basic styles,
take a look and configure your
lounge on www.rossetto.it



Cloè Lounge **D9**



Cloè Lounge **L21**



Cloè Lounge **R7**



Cloè Lounge **R13**



Cloè Lounge **L59**

NEW

Collection Cloè - Lounge

F.lli Rossetto
ITALIAN COMFORTABLE SEATING



F.lli Rossetto
ITALIAN COMFORTABLE SEATING

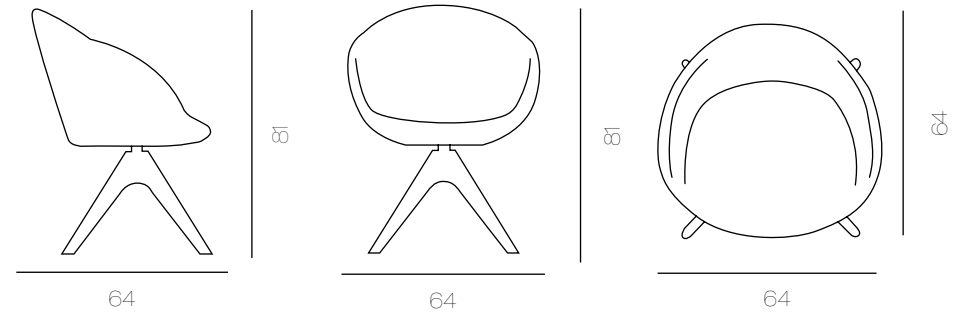
Collection Cloè - Lounge

Armchair Cloè

Steel body and seat structure molded in cold-foamed polyurethane. Cut between the seat and the backrest for stretching and fixing the fabric under the shell.

Paper templates and photos for correct upholstery are available on request.

- Weight: 7 kg
- Dimensions: 0.15 m³
- Fabric needed: m. 1.50 (1.40 h)





F.lli Rossetto
ITALIAN COMFORTABLE SEATING

Collection Cloè - Armchair

Nineteen different basic styles,
take a look and configure your
armchair on www.rossetto.it



Cloè D1



Cloè L13



Cloè L23



Cloè P15



Cloè L3



Cloè L26



Cloè L7



Cloè R16



Cloè L17

Nineteen different basic styles,
take a look and configure your
armchair on www.rossetto.it



Cloè R15



Cloè L28



Cloè R6



Cloè S5



Cloè P10



Cloè R3



Cloè P13



Cloè P2



Cloè R10

